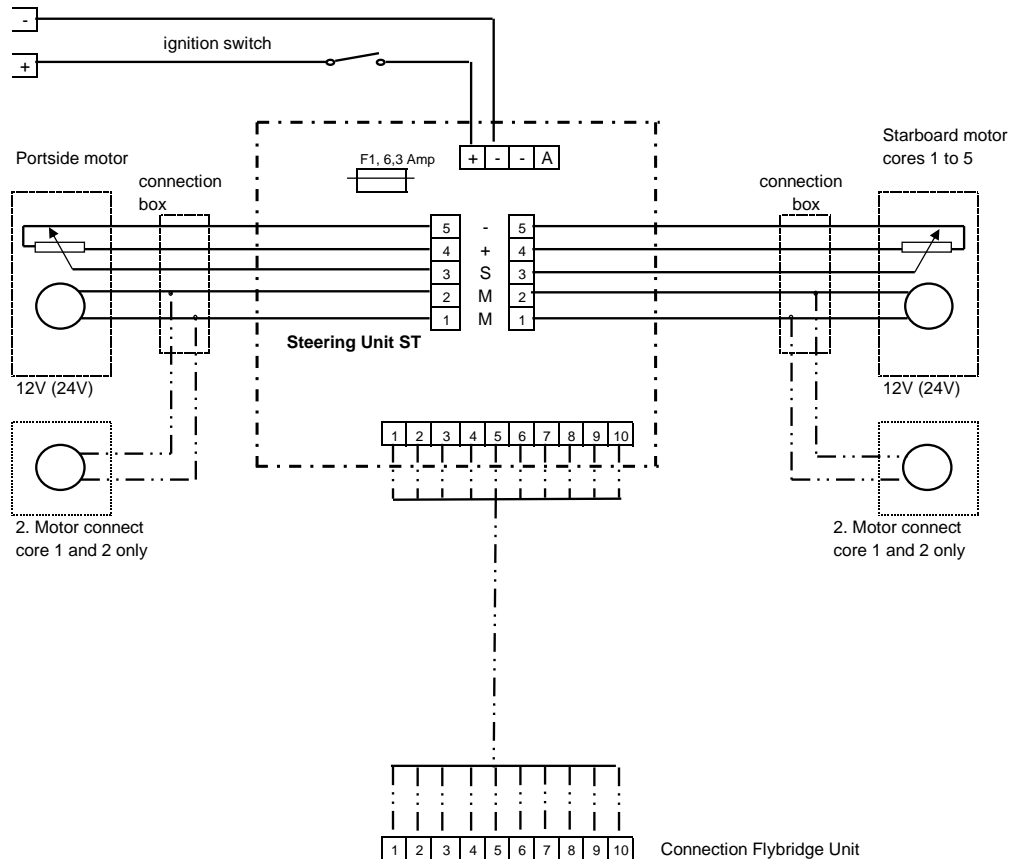


ELTRIM

Wiring Diagram
Type ST and WO

Blattnummer
T 02 - ST - 11 GB
Dat.: 01.10.2011
Rev.: 1.3

For type WO use only cores 1 and 2 of drive units.



2. Motor connect core 1 and 2 only

2. Motor connect core 1 and 2 only

Der Hersteller erklärt die Konformität im Bezug auf die elektromagnetische Verträglichkeit gemäss den Normen EN 55014 1993 / EN 55104 1995 entsprechend der Richtlinien des Rates der Mitgliedstaaten (89/336/EWG).

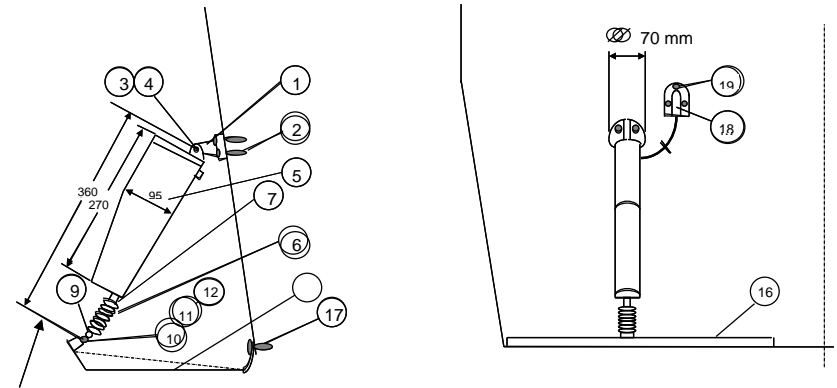
el Trim GmbH Bergstr. 51 58256 Ennepetal Tel. 02333 7720 Fax 02333 89553

ELTRIM

mounting of
tabs and motor

Blattnummer 1
T 02 - ST - 21 GB
Dat.: 01.10.2011
Rev.: 1.3

- Adjust tabs at the stern, so that there is no downward projection. Draw through hinge holes and drill them. Coat screws with permanently resilient seal and secure tabs by the screws.
- Connect the motor to the plane via push rod. Set a plain lath or similar device to the boat floor and let rest on the lath. Adjust motor and mark the point where the lower edge of round flange abuts the stern. Lift motor with 5 mm above this mark, draw through holes and drill them. Coat screws with sealing compound and secure flange. Attache motor to the flange by means of bolts and splint.
- Drill a hole for the cable above the water level, chamfer hole edges inside and outside carefully. Pass through the cable to the connection boxes.



Put the end of the tab 10 - 20 mm higher, when the boat goes more than 25 kn.

1	1	board bearing		
2	4	screws 6,3 X 38 mm	DIN 7981	
3	1	bolt		
4	1	split pin 2 x 25 mm		
5	1	motor case		
6	1	bellow		
7	1	fixing clip	W5	
8	2	fixing clip	W5	
9	1	fastening bent		
10	1	screw M6 X 25 mm	DIN 931	
11	1	nut M6	DIN 985	
12	1	trim tab size ...		
13	**	screws according to tab 4,8 x 19 mm	DIN 7981	
14	1	cover against buckling		
15	3	screws 3,5 X 13 mm	DIN 7981	